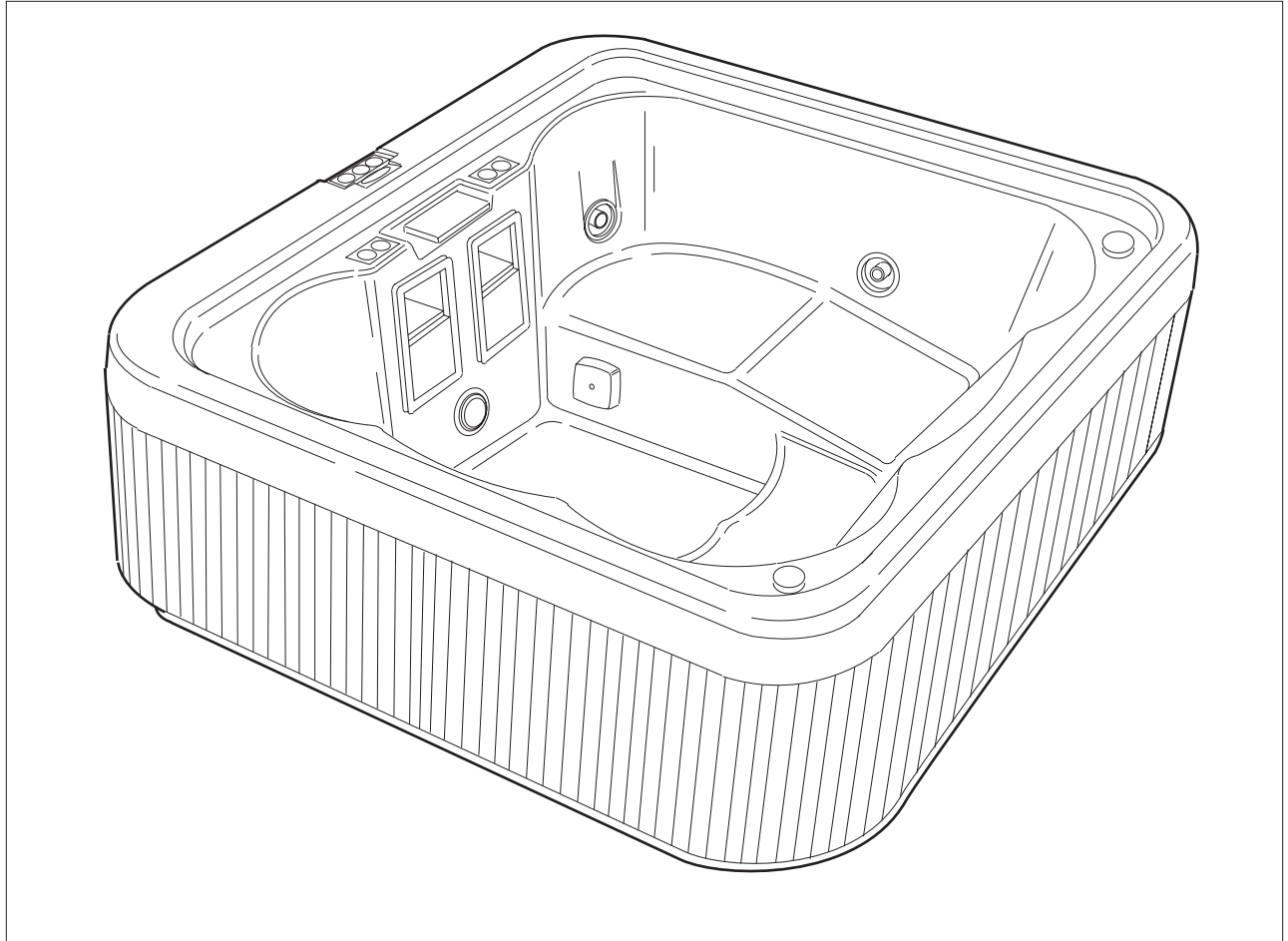


THE AEROPLUS

TM

Portable Whirlpool Spa

Owner's Manual



IMPORTANT SAFETY INFORMATION

READ AND FOLLOW ALL INSTRUCTIONS

Jacuzzi Whirlpool Bath does not recommend spa water temperatures in excess of 104° F. High water temperatures in excess of 104° F. and prolonged periods of use can raise internal human body temperature excessively and impair the body's ability to regulate its internal temperature. Limit your initial use of the spa to 10 - 15 minutes. High body temperatures affect people differently; consult your physician about your safety and comfort before using the spa.

The elderly, the infirm, and children should not use the spa unattended. Infants should not be permitted in the spa at water temperatures over 100° F.

Extra care should be taken when using the spa and consuming alcoholic beverages. Alcohol, drugs, or certain medications such as tranquilizers affect a person's ability to withstand high temperatures and may produce dangerous effects.

The wet surface of the spa is slippery. Use care when entering and exiting.

When using the electrical equipment, basic safety precautions should always be followed:

Connect the spa only to a properly grounded receptacle. (See details in Installation Instructions.)

This unit is provided with a ground fault circuit interrupter (GFCI) located in the System Control Module. Check to be sure this is operational at least once a month. (The procedure for testing is described on page 9 of this manual.)

Do not use electrically connected devices such as television, radio, or stereo speakers, lights, cooking devices, or telephones within 5 feet of the spa while the spa is being used. Lighting fixtures must not be located directly above or within 5 feet of the spa. If located within 10 feet of the spa, they must be on a circuit protected by a GFCI.

The spa must be installed with adequate access and water drainage system. (See Installation Instructions.)

Do not turn on power to the spa unless it is filled with water to the normal water level, which is 6" below the top of the spa rim. Activating the spa when there is an insufficient amount of water can damage the circulation pump and heater and may cause a fire.

Keep body, hair, and clothing a minimum of 12 inches away from suction fitting and skimmers at all times when the spa is operating. Hair longer than shoulder length should be secured close to the head, or a bathing cap should be worn. Do not remove the suction grille! It is a safety device and must always be in place on the suction fitting to minimize the potential hazard of hair entanglement or body entrapment.

Read manufacturer's safety information provided with all optional equipment.

For good hygiene and to avoid health hazards from contaminated water, maintain proper water chemistry per instructions under Maintenance in this manual.

Save These Instructions for Future Use.

Owner's Record

Date Purchased _____

Purchased From _____

Installed By _____ Date _____

Spa Serial Number _____ Model No. C460000 _____

(See page 2 for location of number)

The Aero Plus™ Portable Whirlpool Spa

OWNER'S MANUAL

Model C460000

Contents

	Page
Installation Instructions _____	2-7
Inspection and Shipping Claim _____	3
Unpacking _____	3
Positioning Your Spa _____	4
Electrical Requirements _____	4
Electrical Precautions _____	4-5
Outdoor Installation _____	6
Drainage _____	6
Indoor Installations _____	6
Equipment Set-Up _____	7
 Operating Instructions _____	 8-12
Basic Control Set-Up _____	8-9
Setting the Timer _____	9
Controls _____	10
Heater Control _____	11
Setting the Thermostat _____	11
Note on Determining Water Temperature _____	11
230 Volt Operation _____	11
Normal Operation _____	12
Air Blower _____	12
Water Rainbow _____	12
Silent Air Induction _____	12
Filtration _____	12
 Maintenance _____	 13-17
Water Quality and Water Chemistry _____	13
Filtration _____	13
Water Chemistry _____	13-14
Disinfecting _____	14
Balancing pH _____	14
Balancing Total Alkalinity _____	14
Water Quality Definitions _____	14
Water Level/Drain _____	15
Skimmer Basket Maintenance _____	15
Filter Maintenance _____	15
Automatic Filtration/Maintenance _____	16
Winterizing _____	16
Factory Installed Redwood Skirt _____	16
Spa Light _____	17
Covering Your Spa _____	17
Cleaning Your Spa _____	17
Repairs to the Acrylic _____	17
 Troubleshooting Guide _____	 18-20
Important Electrical Information _____	20
Alternate Use for Water Rainbow _____	21

The Aero Plus™ Portable Whirlpool Spa

Installation Instructions

The Aero™ Plus—a portable whirlpool spa by Jacuzzi Whirlpool Bath—is a revolutionary spa of unparalleled design. Its graceful, free-flowing lines provide aesthetic pleasure, and its full-featured elegance provides the comfort and luxurious spa experience you expect from a Jacuzzi® whirlpool spa. The Aero Plus features elegantly sculptured multilevel contoured seating and a lounge for maximal comfort, five fully adjustable color coordinated Power Pro™ whirlpool jets, and two directionally adjustable jets, strategically located, providing penetrating massaging action.

Aero Plus' controls are located for convenient access from inside the spa. A clearly labeled control panel gives you control of the heater, filter, whirlpool, light and air blower functions with just the push of a button. Temperature and filtration can also be controlled by a built-in 7-day timer (located on the System Control Module). The Aero Plus comes with a low voltage light and interchangeable colored filters, adding even more luxury to your spa experience.

The Aero Plus offers the convenience of two patented front load skimmer/filters for maximum efficiency. The unique 50 sq. ft. filtration system, designed by Jacuzzi Whirlpool Bath allows easy access from inside the spa to both filter cartridges without having to drain the spa or open the skirt door.

A standard feature of the Aero Plus is the Water Rainbow™ spout with flow control, which will create a dazzling, shimmering waterfall effect while recirculating the water.

The shell is foam-insulated to save energy costs, and is tastefully surrounded by a factory installed wrap-around red-wood skirt.

The complete equipment pack of compact and portable Aero Plus is mounted within the perimeter of the spa, so the spa is easy to install. The spa requires a 115 VAC 20 Amp*, grounded, separate circuit and is equipped with a ground fault circuit interrupter (GFCI). An optional gas heater is available as an alternate heating source and can be installed remotely. The Aero Plus is available in several lustrous acrylic colors. (See the Jacuzzi Whirlpool Bath color guide.)

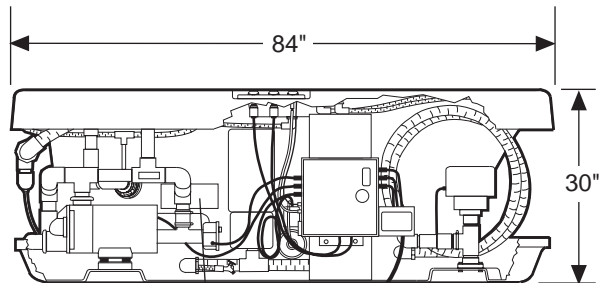
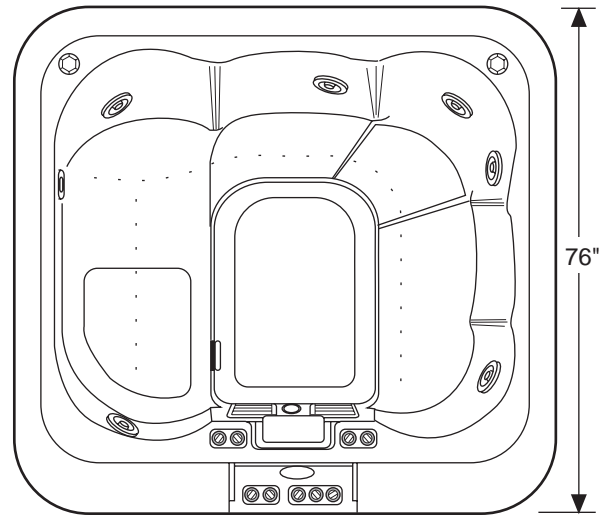
OPTIONS

- Gas Heater
- Rigid Insulating Cover

SPECIFICATIONS

MODEL	DIMENSIONS	MOTOR/ PUMP	FLOOR LOADING	OPERATING GALLONAGE	ELECTRIC HEATER	SHIPPING WEIGHT	ELECTRICAL REQUIREMENTS
Aero Plus C460000	84" L. (2134 mm) 76" W. (1930 mm) 30" H. (762 mm)	1.0 HP 2 speeds (.8 kW) 115 VAC 3.5/11.5 Amps 1725/3450 RPM Single Phase 60 Hz.	72 lbs./sq. ft. (321 kg./sq.m.) Total Weight: 3201 lbs. (1455 kg.)	225 US Gal. (851.6 Ltrs.)	1.5 Kw 11.5 Amps (60 kW) 23 Amps if connected to 230 VAC)	789 lbs. (359 kg.)	115 VAC* 20 Amp, 60 Hz. Separate Circuit (see p. 14 for min. voltage requirement.)

TOP VIEW



SIDE VIEW

ARCHITECTURAL SPECIFICATIONS (Short Form)

Whirlpool spa shall be the AeroPlus whirlpool spa as manufactured by Jacuzzi Whirlpool Bath in colors and sizes shown in drawings and schedules.

PRODUCT SPECIFICATIONS ARE SUBJECT TO CHANGE WITHOUT NOTICE. *Unit may be field converted to 230 VAC

INSTALLATION

Installation Instructions

Inspection and Shipping Claim

Check for shipping damage upon receipt of the spa. Jacuzzi Whirlpool Bath is not responsible for damage to the spa sustained during shipping. If damage is evident before unpacking, see instructions regarding shipping claims on the outside of the carton and immediately file a claim with the carrier.

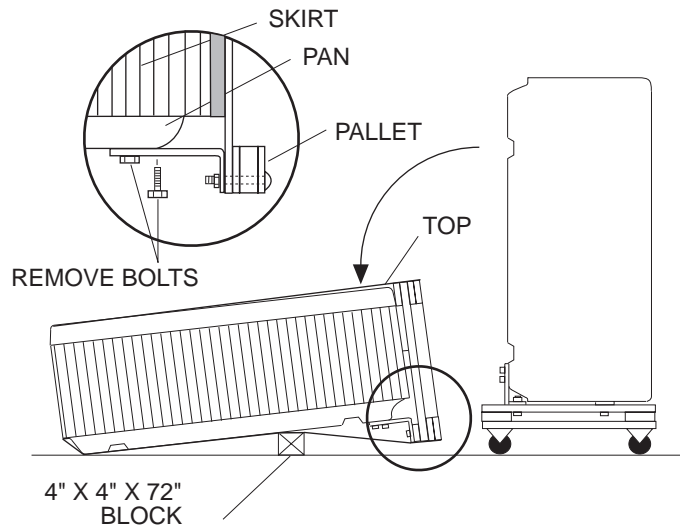
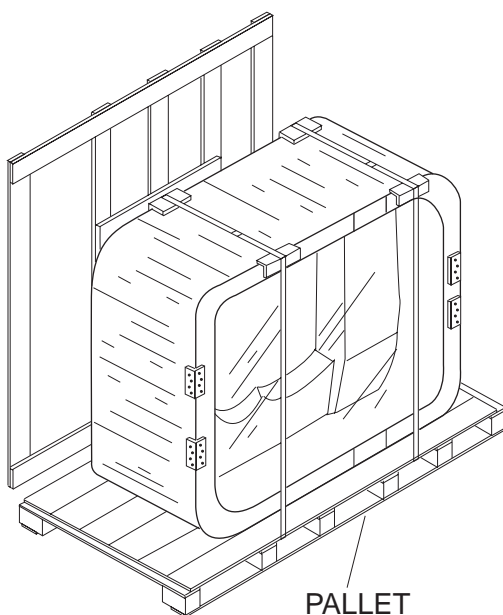
Once the spa has been removed from the carton and before it is permanently installed (see below on this page for unpacking instructions), check the spa completely for damage. Fill the shell with water and operate the system (see Operating Instructions) to check for leaks which may have resulted from shipping or handling. All Jacuzzi Whirlpool Bath spas are factory tested for proper operation and water tight connections prior to shipping. If leaks are detected, immediately notify your Jacuzzi Whirlpool Bath dealer or Authorized Service Agent, or call Jacuzzi Whirlpool Bath, (800) 225-8292, for Warranty Service. (California residents, call (415) 938-7070.)

Note: Damage or defects which could have been discovered and repaired prior to installation and which are claimed after final installation of the spa, are excluded from our warranty.

Unpacking

1. Read disclaimer for shipping damages outside of crate.
2. Remove sides and top of crate, as well as plastic bags, leaving pallet intact and bands securing corrugated wrap on skirt.
3. Check for shipping damage.
4. Remove and set aside unattached accessory pieces.
5. Move spa to final site with pallet still attached as shown.
6. Place a 4"x4" x72" wooden block beside the pan side of the spa so it is parallel with the pallet.
7. Tip the spa over onto its bottom with the block supporting the spa.
8. Remove the bolts from brackets attaching the pallet to the bottom of the pan.
9. Remove the pallet and the 4" x 4" block, then carefully lower the spa to a horizontal position.

CAUTION: DO NOT CUT OR REMOVE THE BANDS OR THE BOLTS THAT SECURE THE PALLET TO THE SPA UNTIL AFTER THE SPA HAS BEEN TIPPED OVER.



INSTALLATION

Positioning Your Spa

Because your Aero Plus spa is portable, you can locate it just about anywhere you wish—on a deck, patio, or even indoors. Just be sure to position it above ground in an area with good drainage and on a level, continuous surface which can support the weight of the spa when filled with water and people; this weight is approximately 3201 lbs. (72 lbs. per square foot). You must also provide access to the spa's equipment for service and general maintenance.

Electrical Requirements

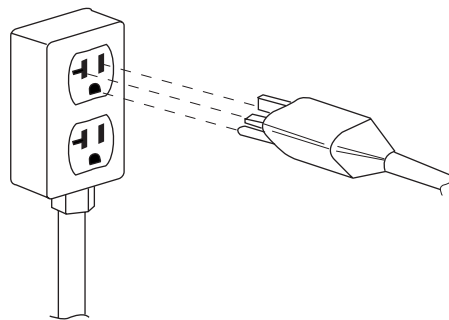
Your Aero Plus, as it comes from the factory*, requires a 115 VAC 20 AMP electrical outlet and must be in a grounded separate circuit having no other appliance connected in that circuit. If you do not have 115 VAC 20 AMP circuit, a qualified electrician should be called in to install the necessary wiring. Inadequately sized wiring or locating the outlet too far from the main service panel may cause a voltage drop which might cause the unit to malfunction and bring about permanent damage to the spa's electrical system. (See page 4-5 for details.) The outlet must also have a ground wire in order to take advantage of the designed-in safety features of the spa. A bond wire must also be used. Bond according to step 5 below. **Caution: Without proper grounding and bonding, a system malfunction may cause fatal shock.**

*To increase the heating capacity of your spa's heater and convert the heater output from 1.5 kW to 6.0 kW, your spa can be hard wired on-site in approved conduit to operate at 230 VAC 50 Amps. This requires a separate circuit which will not be shared by any other appliance. We recommend that this rewiring be done by a qualified electrician. A wiring diagram and rewiring instructions are provided on the inside of the electrical cabinet door. When this conversion to 230 VAC has been made, any combination of operating modes is possible, including having the heater on when the whirlpool mode is activated. Also, the heat-up rate will be approximately four times greater.

Electrical Precautions

1. The spa is supplied with a 15 ft. line cord which terminates with an integral Ground Fault Circuit Interrupter (GFCI) plug; locate the spa near enough to a weather protected outlet, but no closer than 10 ft. **DO NOT USE AN EXTENSION CORD!** Using an extension cord is hazardous and will decrease the amount of power to the unit, causing slow heating, poor whirlpool performance, or system malfunction.
2. Bring the line cord out from under the pan at the recess and hole near the equipment support in either front corner.

Make sure the line cord does not lie across a walkway or in a heavily traveled area where it may be a safety hazard or become damaged. **Do not bury the line cord.**



20 AMP RECEPTACLE
(LOCATE SPA AT LEAST
10 FT. FROM RECEPTACLE)

INSTALLATION

Electrical Precautions (Continued)

CAUTION

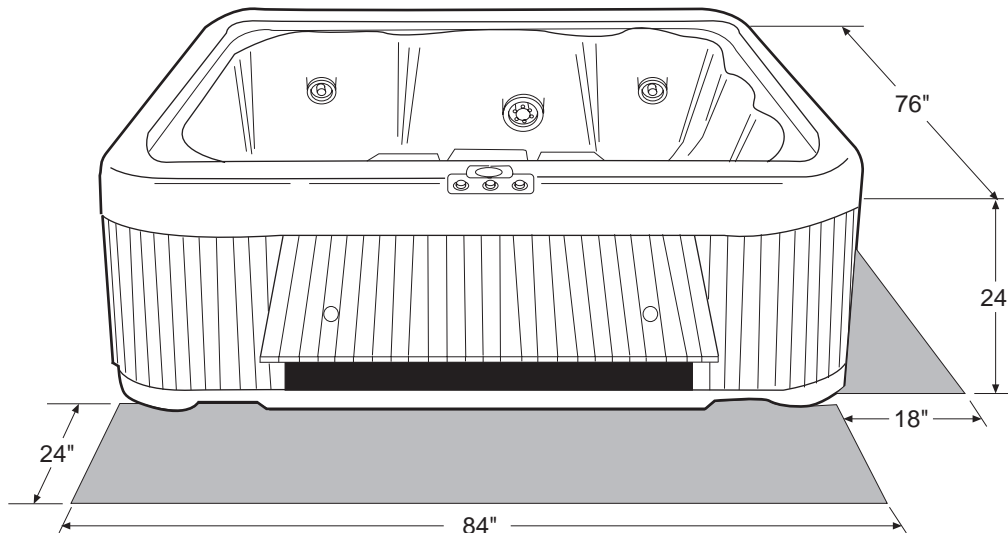
Do not apply electrical power to the spa unless it is filled with water to the normal water level, which is approx. 6" below the spa rim (see location of water level indicator on face of skimmer on page 7). If the spa's motor/pumps are actuated when there is not sufficient water in the unit, the circulation pump could be irreparably damaged. Not heeding this caution will nullify the warranty. In addition to damaging the unit, operating the unit with insufficient water could cause a fire.

3. Do not locate lighting fixtures directly above the spa; lighting and electrical receptacles must be located at least 5 ft. from the spa. Lighting located between 5 and 10 ft. from the spa must be on a circuit protected by a GFCI. (See National Electrical Code, 680-6.)
4. Do not use electrically connected devices, such as television, radio, toys, telephones, stereo speakers, lights or cooking devices within 5 ft. of the spa when the spa is being used.
5. All fixed metal objects located within 5 ft. of the spa, such as fence posts, railings, door frames greenhouse structures, gutters, etc., must be attached to the bonding bar on the outside of the spa electrical cabinet using #8 solid copper wire. With #8 solid copper wire, bond the spa to the house electrical panel or approved local bond. An approved ground may be an 8 ft. long ground rod, a plate electrode, or a buried metal water pipe with at least 10 ft. of buried pipe. Check your local building code for requirements. Bonding lugs are available at your local electrical supply store. (Bond bar location is shown on page 5.)

WARNING!

The continuous service ground wire is located in the line cord supplied. **Do not modify this cord in any way!** Tampering with the ground wire or using an adaptor which would make the built-in grounding device and GFCI ineffective would cause electrical shock. Such modification would also nullify the warranty.

SERVICE ACCESS



INSTALLATION

Outdoor Installation

If you install the spa outdoors, we recommend that you provide a concrete pad for it to rest on. To do this, construct forms for a 8' x 8' x 4" thick level pad. Install a #10 gauge wire mesh 6" x 6" steel reinforced grid. Attach a #8 solid copper wire to the grid with a ground clamp. This wire should be long enough to reach the bond bar on the spa electrical cabinet (min. 36"), but should not be located under the base of the spa. Then pour the concrete pad.

Drainage

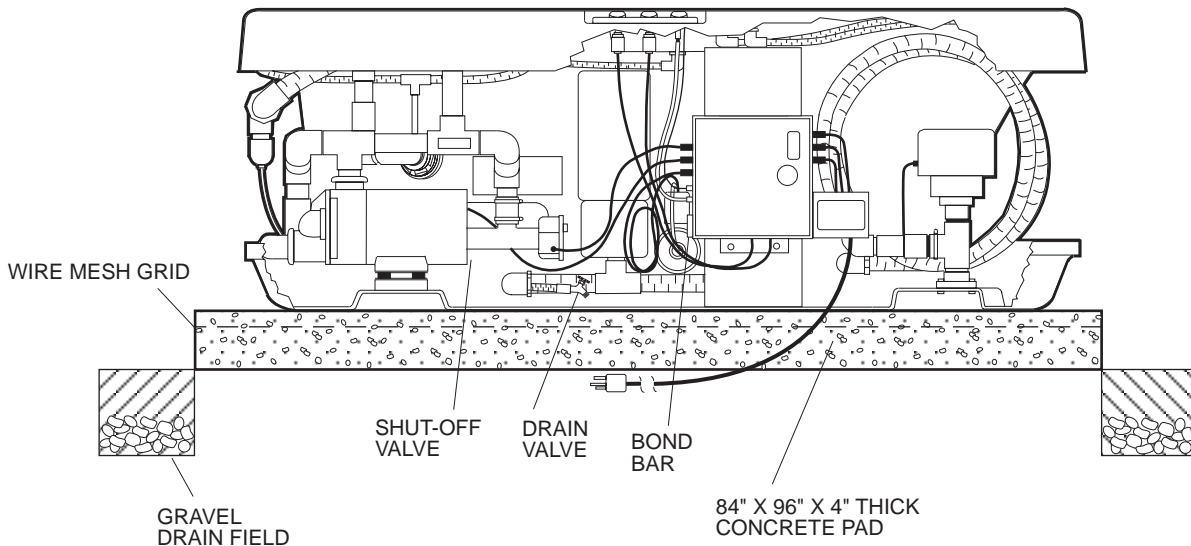
Whether you install your spa indoors or outdoors, you can drain it almost completely by attaching a garden hose to the drain valve located on the suction tee of the spa. Simply run the hose to the house sewer line or drain field and open the drain valve.

Make sure the area surrounding the spa has good drainage to keep water from collecting at the base of the spa—especially near the equipment area. If drainage is poor, install a drain line and/or gravel drain field (see illustration below)

Indoor Installations

Water which splashes on the floor during use of the spa may cause a walking hazard and/or structural damage unless good drainage is provided and proper waterproof building materials are used in the area surrounding and beneath the spa. Take into consideration, also, the high room humidity which will exist due to high spa water temperatures. Providing natural or forced ventilation of the room will help maintain comfort and minimize moisture damage to the building. Jacuzzi Whirlpool Bath is not responsible for damages resulting from excess moisture or water spillage. Consult an architect or engineer for aid in designing your indoor installation.

SUPPORT AND DRAINAGE



INSTALLATION

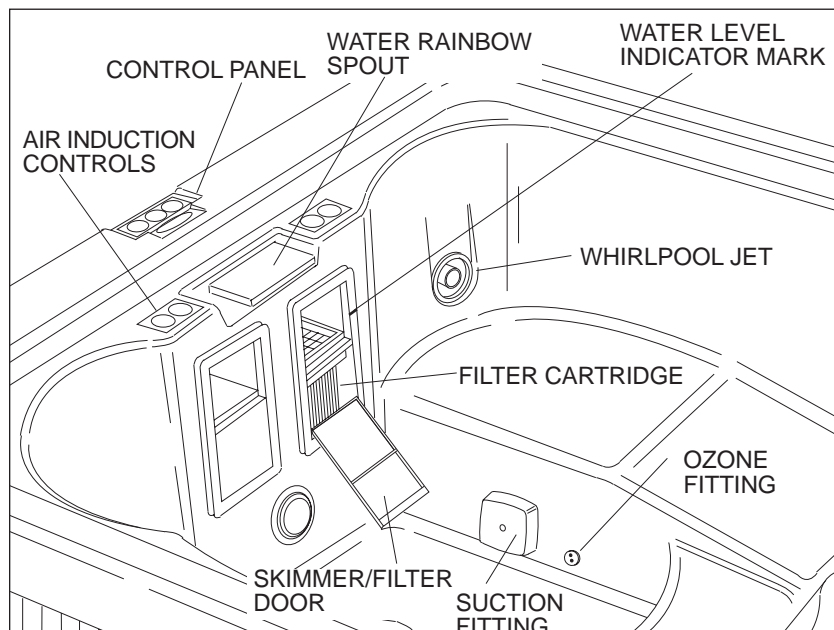
Equipment Set-Up

1. Remove the plastic sheet covering the spa. Use care; stepping into the spa with shoes will scratch the acrylic surface.
2. Remove any packing materials from the spa.
3. Remove each filter cartridge from its plastic bag.
4. Pull open each skimmer/filter door by the handle located in the middle of the door and remove the skimmer basket. Then insert the filter cartridge into the filter housing and re-insert the strainer so that it fits in place over the filter cartridge and close the skimmer/filter door.
5. Clean the interior of the spa of any remaining construction debris. Remove stubborn stains, paint, or tar with turpentine, isopropyl alcohol or paint thinner. A mild liquid dishwashing detergent on a damp cloth is fine for cleaning off other dirt. Plaster can be removed by scraping with a wooden edge; do not use a metal scraper, wire brush, or other metal tools, as they will damage the spa's surface.
6. On initial start-up, it is necessary to purge and sanitize the system. Carefully follow the procedure described here to purge and sanitize your spa.
 - Remove the optional spa cover completely.
 - Close the drain valve located on the suction tee.
 - Open the five fully adjustable jets.
 - Fill the spa with water to its normal operating level, which is to the water level indicator mark on the skimmer/filter frame.
 - Plug the line cord into the proper receptacle in a 115 VAC 20 Amp circuit.
7. Select JETS on the SYSTEM switch.
8. Add 1/4 cup sodium dichlor (a fast dissolving granular type of chlorine) to the water and let the whirlpool run for 15-20 minutes only.
9. Turn off JETS.
10. Turn off circuit breakers.
11. **Immediately open the drain valve and drain the spa completely.**

CAUTION: Leave the optional rigid cover off the spa during this procedure. Do not use the spa during this procedure. Drain the spa immediately afterward.

7. Close the drain valve and fill the spa with water to approx. 6 inches below the spa rim, or to water line indicator mark on the skimmer frame. (See illustration on this page.)
8. Turn on circuit breakers at the main service panel.
9. Set the heater thermostat for the maximum temperature.
10. Test the spa for proper operation. (Refer to Operating Instructions.)
11. Refer to Water Quality section of the Operating Instructions. Test for water quality; then add treatment chemicals to ensure proper levels.

All Jacuzzi Whirlpool Bath spas are factory tested for proper operation and water tight connections prior to shipping. If leaks or other malfunctions are detected, immediately notify your Jacuzzi Whirlpool Bath dealer or Authorized Service Agent, or call Jacuzzi Whirlpool Bath, (800) 225-8292 (415) 938-7070 in California), for Warranty Service.



OPERATION

Operating Instructions

Now that your Venterra spa is in place, you are probably eager to take advantage of its unique designed-in features—especially the patented Jacuzzi Whirlpool Bath hydromassage performance. Besides being a beautiful addition to your indoor decor or outdoor landscaping, your Jacuzzi whirlpool spa will provide you with the ultimate in spa pleasure.

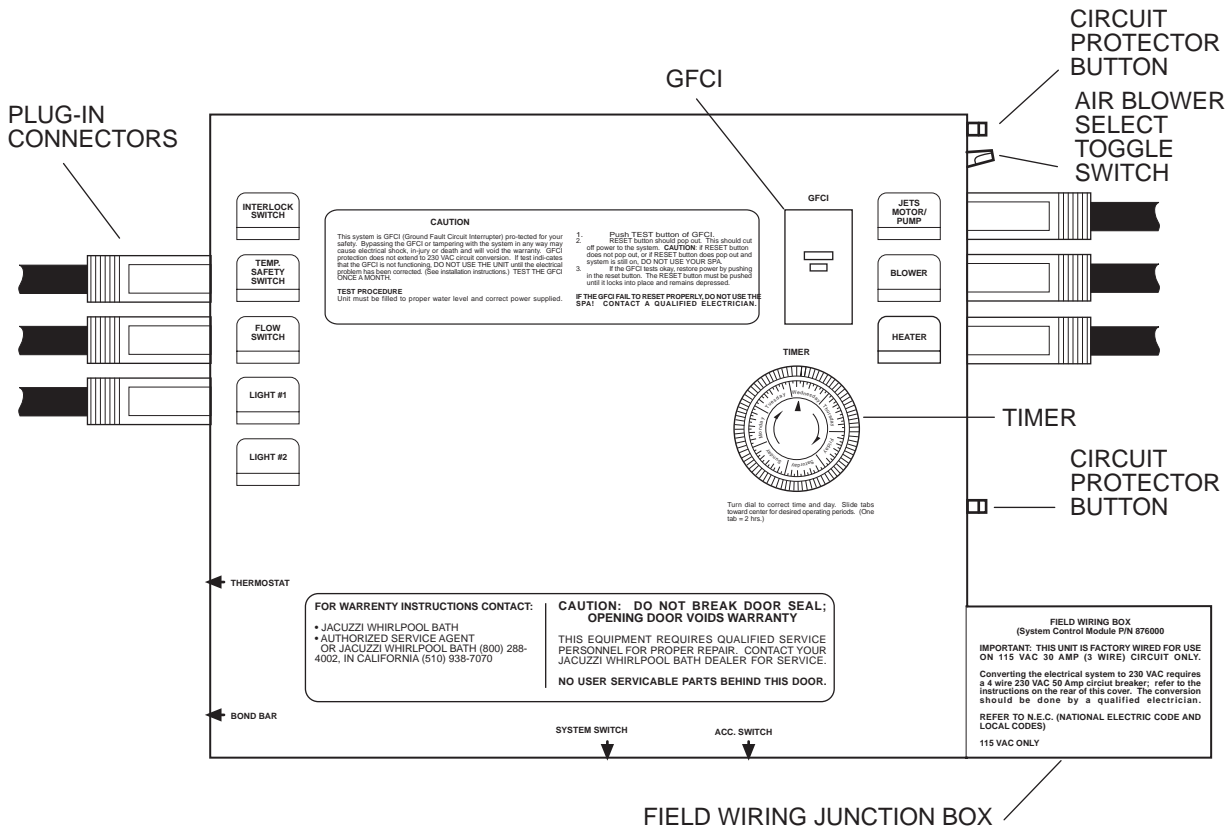
Basic Control Set-Up

The control set-up on your Venterra spa is designed to give you fingertip control of the heater, air induction, light and whirlpool, filter, and blower systems of your unit from inside or outside your spa. Follow the basic control set-up described below to familiarize yourself with the several functions of the control panels located on the top of the spa.

CAUTION

Do not turn on power to the spa unless it is filled with water to the normal water level. (See water line indicator mark on skimmer frame.) When the power is on, the built-in timer may activate the system even though the SYSTEM is turned off at the control panel. If the spa's motor/pump is actuated when there is not sufficient water in the unit, the circulation pump and heater could be irreparably damaged. Not heeding this caution will nullify the warranty. In addition to damaging the unit, operating the spa with insufficient water could cause a fire.

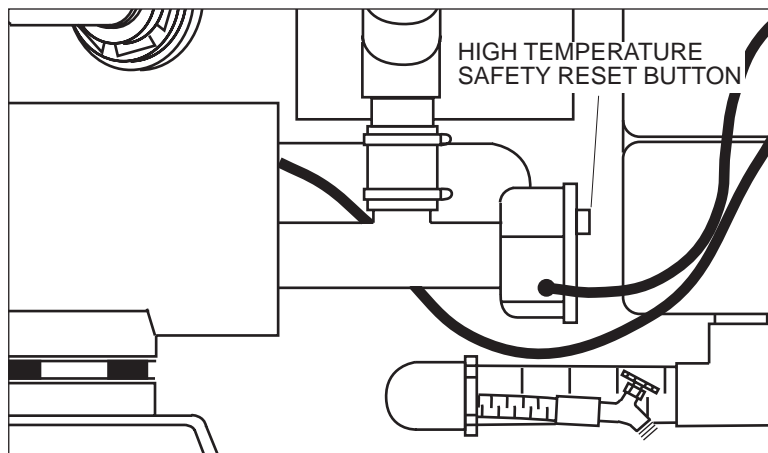
- Using a garden hose, fill the spa with water to the water line indicator mark on the skimmer frame. (see page 21 for information on using Water Rainbow as a fill spout if desired.)
- At the house service panel, turn on the circuit breaker or switch that controls the electrical service to your spa. Plug the line cord into a 115 VAC 20 Amp receptacle. (Make sure there is no other appliance on that circuit.)



OPERATION

Basic Control Set-Up (Continued)

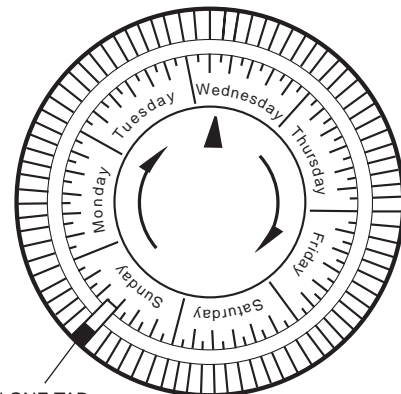
- Open the skirt door giving access to the electrical cabinet.
- Your spa is provided with a ground fault circuit interrupter (GFCI). At initial start-up and at least once a month thereafter, with the plug connected to power, push the test button located on the spa electrical panel. The reset button should pop out. Push this button in to reset. If the interrupter fails to operate in this manner, there is a ground current flowing or a device malfunctioning, indicating the possibility of electric shock. **Disconnect the plug from the receptacle and do not use the spa until the source of the breakdown has been identified and corrected.**
- Make sure the circuit protector buttons are pushed in.
- Locate the HIGH TEMPERATURE SAFETY SWITCH, which is a raised button on the end of the heater. Push this button to be sure it is in the reset mode. The purpose of this switch is to shut down the spa if the water becomes excessively hot. If, for some reason, the switch is tripped, the reset button must be pushed in for the heater to operate again after the water has cooled to about 90°F.
- Set the built-in timer (see below).
- Close the redwood skirt door.



Setting the Timer

The built-in 7-day timer is located in the electrical cabinet. The tooth-like tabs that are located on the dial can be set to activate the filter system for two-hour periods on any day(s) of the week. First set the correct time. Set the time of day by rotating the outer dial and aligning the correct time with the small arrow in the inside of the dial. Note: both correct time and day must be set. Next slide one of the tabs toward the center of the dial at the time at which you wish the filter system to operate. Note that the timed mode can begin at any time of day or night on any specified day of the week.

TIMER



PUSH IN ONE TAB FOR EACH TWO HOUR PERIOD OF OPERATION

OPERATION

Controls

A switch panel giving you convenient control of the jets, filter, heater/filter, light and air blower is located on the spa rim.

To ensure your safety and allow easy operation, your spa is equipped with two air-activated switches. One, the SYSTEM switch, controls the whirlpool jets, heat, and filtration. The other switch, ACC (Accessory) controls the air blower and optional light.

Refer to the Control Panel illustration for an explanation of the various switch functions.

SYSTEM

The SYSTEM switch controls the following four functions in the continuous sequence indicated:

1. OFF
2. JETS
3. HTR/FILTER
4. FILTER

(The next selection is OFF again.)

Use the JETS function as a reference to indicate your location in the function sequence, since that function is the most obvious when operating.

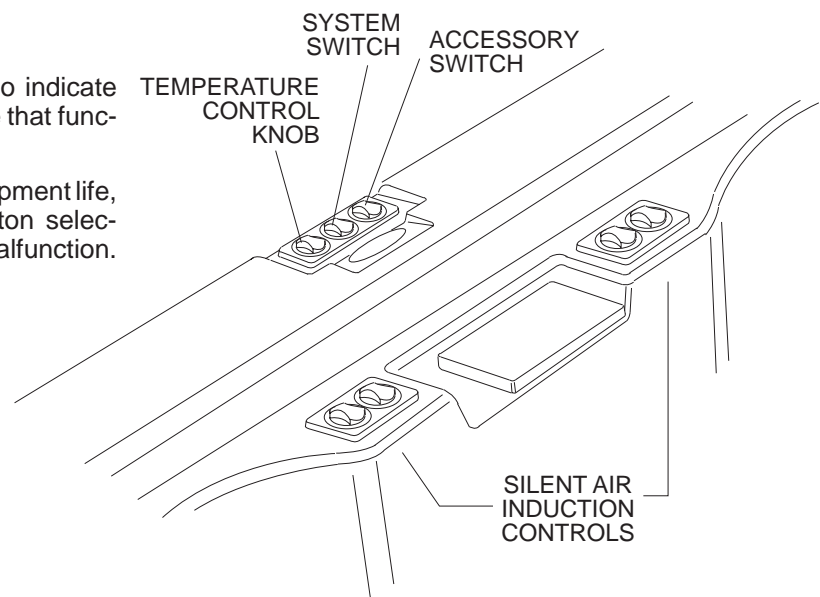
For best performance and increased equipment life, pause a second or two between push-button selections. Not pausing may cause the switch to malfunction.

ACC (Accessory)

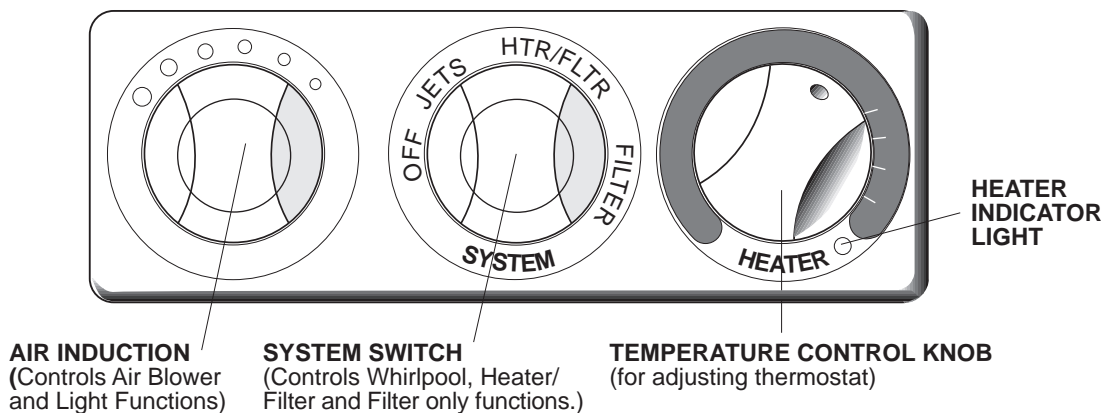
The ACC (Accessory) switch controls these functions in the continuous sequence indicated:

1. OFF
2. AIR
3. AIR/LIGHT
4. LIGHT

When the AIR (blower function) is activated, the jets will turn off if they have been selected by the SYSTEM switch. Activating the AIR function will also turn off the heater if the HTR/FLTR function has been activated by the SYSTEM switch. (If the unit is properly converted to 230 VAC 50 Amp, 4—wire, no overriding of features will exist.)



CONTROL PANEL



OPERATION

Temperature Control

Turn on the heater by selecting the HTR/FILTER mode with the SYSTEM switch.

With this selection, you can verify that the spa's heater is operating by viewing the indicator light on the spa control panel.

Set the HEATER knob by rotating it to the desired temperature. When the water temperature is lower than that set by the HEATER knob, the heater and filter pump will be activated. The heater will automatically turn off when the desired temperature is reached. When the heater is on, the water is also being filtered. The heater is designed to maintain a minimum temperature of approximately 45-50°, its lowest setting. This does not necessarily protect the spa from freezing. See page 16 for winterizing procedures..

The Temperature Control is designed to maintain a minimum temperature of approximately 45 -50°, its lowest setting. This does not necessarily protect the spa from freezing. See page 15 for winterizing procedures.

Setting the Thermostat

When your spa is plugged in and the HTR/FLTR has been selected on the control panel, your heater thermostat is working to maintain the temperature to which you have set the HEATER knob. You will notice by the indicator light that the heater will turn on when the water temperature falls below the desired temperature and will turn off when that temperature has been reached.

When the spa is not in use, you can set the thermostat to a lower temperature; then, when you wish to use the spa, adjust the HEATER knob to the desired temperature. The water temperature will rise at a rate of about 2° per hour with the optional spa cover, foam insulation and skirt panels in place and if the air temperature is 50° or warmer. This rate will necessitate a waiting period before using the spa, the length of which will be determined by the temperature of the water before turning on the heater. For example, if the water in the spa is kept

at about 70° when the spa is not in use, and the desired temperature is 100°, it will take about 15 hours to heat up sufficiently.

The rigid, insulating spa cover available as an option for your spa will help control heat loss from the water surface. You can improve the spa's heat retention by keeping the spa cover in place on the spa while heating the water.

Once you have determined the desired setting on the thermostat knob, it is not necessary to change or re-adjust it again during normal operation unless you decide on a different setting.

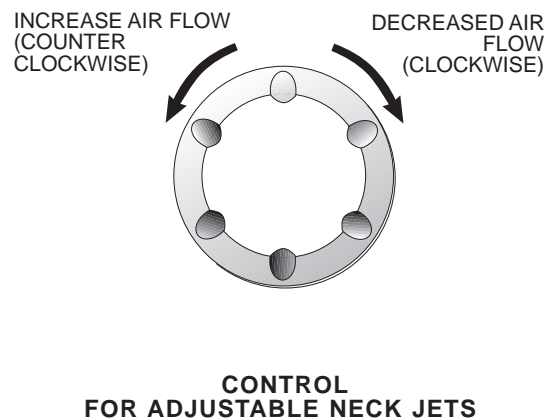
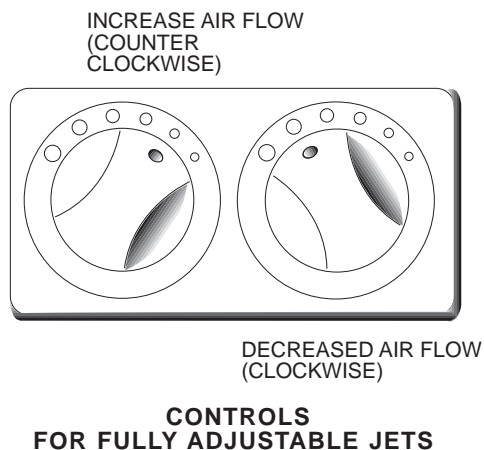
Note on Determining Water Temperature:

As spa products generally perform in a narrow range of operating temperatures, we recommend that you use a medical (clinical) type thermometer for an accurate measurement of spa water temperature. Other types of thermometers, generally available, such as those used for swimming pools, are not sufficiently accurate to determine spa water temperatures. Take water temperature readings in the HTR/FILTER mode when the heater has just turned off; the indicator lamp on the control panel will turn off at this time.

230 Volt Operation

If your spa has been converted to 4—wire, 230 Volt 50 Amp, there are a few differences in operation. First, all features are operational and there are no overriding functions. Additionally, after converting to 230 Volts, the spa's heating time will be approximately 8° per hour instead of 2°.

Finally, whenever you need to perform maintenance on the spa, or when you need to drain the spa to below its normal operating level, make sure power to the spa is turned off at the house service panel, as there will be no line cord to unplug.



OPERATION

Normal Operation

Whirlpool System:

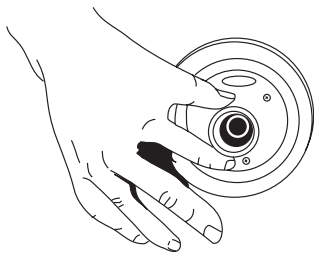
You can enjoy the Aero Plus spa with or without activating the whirlpool. Either way, bathing in your spa can be pleasurable, as well as therapeutic. After a busy, stressful day, you can look forward to soaking in your spa in still water with no turbulence—only the gentle warmth of the soothing and relaxing water.

For an invigorating spa experience, you can take advantage of the built-in whirlpool system. To do this, push the SYSTEM switch button to select the JETS mode. Sit or recline in the spa so you are comfortable. Since the four jets are adjustable, you can direct a jet toward any area where muscles feel tense or stiff. The warmth of the water and the stimulating water flow from the jet will pleasantly increase circulation.

Or, for the total whirlpool effect and all-over feeling of well-being, you can adjust all jets so they point in a opposite directions to circulate the air and water mixture in a circular motion all about the spa.

**DIRECTIONALLY ADJUSTABLE
WHIRLPOOL JET**

**FULLY ADJUSTABLE
WHIRLPOOL JET**



Air Blower

The Aero Plus features a built-in air blower and factory drilled air holes in the seats of the spa to add to your enjoyment.

The blower sends air to a channel located under the spa's seats; this air is distributed through the air holes, tiny bubbles are formed. These bubbles travel upward through the water and expand until they reach the surface and burst. The exciting visual effect of the bursting bubbles contributes to the overall hydromassage experience.

Activate the blower by pushing the ACCESSORY switch. Note that when the blower is on, the low speed of the motor turns on to activate the pump which allows filtration of the water and the use of the Water Rainbow feature. However, while the blower is operating (in the 115V system), neither the jets nor the heater will function. If the heater mode has been selected, the heater will come on again automatically when the blower is turned off.

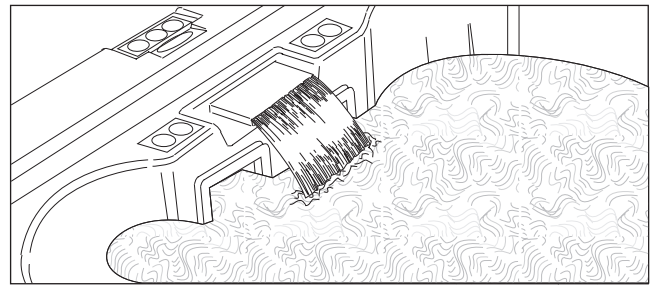
Water Rainbow Spout

The Water Rainbow spout will add the soothing sound of a waterfall to your bathing pleasure, as well as provide beautiful cascades of shimmering water for an exciting visual effect.

Activate the waterfall feature by first turning on the JETS, HTR/FILTER, or FILTER function, then rotate downward the flow control lever located on the left side of the spout. Use this lever to adjust the amount of water flowing through the Water Rainbow spout. The waterfall effect will be greatest in the JETS mode.

CAUTION

The water circulating through the Water Rainbow spout is not fresh water and therefore is not suitable for drinking.



Silent Air Induction

The intensity of the whirlpool action is determined by how much air is induced into the water. You have total control of this by adjusting the air induction control knobs located on bath control panels. For maximum air induction, rotate each control knob fully counter clockwise to the largest circle. For fewer air bubbles, decrease the amount of air induction by rotating the control knob clockwise. When the knobs are turned to the smallest circles, only water is being circulated.

Filtration

When you are ready to leave the spa, push the SYSTEM switch button to turn off the whirlpool. Then select the HTR/FILTER mode. Adjust the heater knob to the temperature at which you wish the water maintained. In this way, the water will be filtered when the heater goes on to maintain the temperature. Running the filter pump for at least one hour a day is sufficient. Another way to be sure the water will be filtered is to set the built-in timer in the electrical cabinet to turn on at a certain time to filter the water for one hour. Be sure there is sufficient water in the spa (filled to the water line indicator mark on the skimmer/filter frame) when the timer is set, or the spa's motor/pump could be damaged. (See page 9 for instructions on setting the timer.)

MAINTENANCE

Maintenance

Water Quality and Water Chemistry

Maintaining water quality and water chemistry in your spa is extremely important and should be a regular part of your spa maintenance program, as a neglected spa can be a breeding place for dangerous bacteria.

The water quality of your spa is maintained by a combination of filtration and chemistry. The spa's integral filter system helps maintain the water cleanliness and clarity by trapping most solid materials such as body oils, hair, and other debris resulting from normal use. However, the most important part of maintaining water chemistry is keeping the proper level of disinfectant in the water at all times. This is accomplished by adding chlorine or bromine (but never mix the two!) to the water, which will control particles too small to be trapped by the filter, such as bacteria and algae, and will oxidize any organic materials. Follow instructions provided here and with water quality products for the health and safety of spa users, as well as to make your spa bathing as enjoyable as possible.

Filtration

The filtration system of your spa will keep your water clear and clean if used properly. We recommend that you run your filter system for at least two hours each day. The filter cartridge elements will trap most solid materials and debris in the water. However, the presence of materials such as body oils or other particles which are too small to be captured in the filters may bring about various undesirable water quality conditions. These conditions can be corrected with the use of spa treatment chemicals which are available from your Jacuzzi Whirlpool Bath dealer. Such conditions include the following:

Foaming: A defoamer is available to minimize foaming of the water. This condition is usually caused by the addition of soaps or oils, or other fatty substances to the spa water. The interaction of these with hot water, especially at high pH (more alkali), will cause the water to foam. (See Water Quality Definitions.)

Oil Film or Cloudy Water: Add clarifier to congeal oil film on the water surface into globules sufficiently large to be trapped by the system's filter. Cloudiness is caused by particles that are too small to be trapped in the filter, and is also due to the presence of human body oils, lotions, and cosmetics. During normal use, these materials can accumulate on the filter element and clog its pores. The addition of clarifier will make the water clearer, but clogged filters must be cleaned as prescribed under the section entitled "Filter Maintenance" in this manual.

Hard Water: Add a de-mineralizer to break down or de-ionize mineral particles present in the spa water.

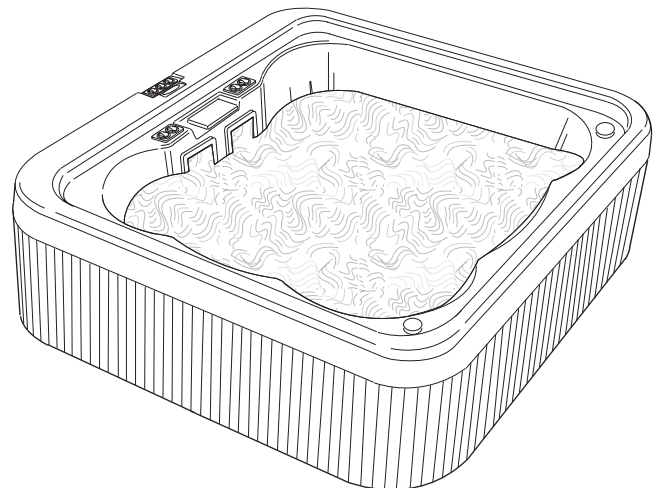
Follow the "Filter Maintenance" procedure described in this manual to ensure optimum performance of your spa's filtration system.

Water Chemistry

You can ensure better water chemistry by testing your spa water every day and adjusting the chemical balance frequently. Obtain a water quality test kit, designed especially for spas, from your Jacuzzi Whirlpool Bath dealer. The test kit must be of the type which allows you to test for the disinfectant (chlorine) level, pH, and total alkalinity. Make sure, also, that chemicals used in your spa are especially for spa use, and not for swimming pools, as water quality maintenance of spas and swimming pools is very different.

Set up a daily program at first to check the disinfectant level, pH, and total alkalinity of the water to familiarize yourself with the amount of chemicals to add and to determine how often to make chemical adjustments during normal use. Remember that the more heavily the spa is used, the more often you should check the water chemistry.

When adding any chemicals, always run the filter system to ensure complete dilution with the water. Do not add chemicals directly into the skimmer opening.



MAINTENANCE

Water Chemistry (Continued)

Disinfecting:

When filling the spa for the first time, follow the purge/sanitizing instructions in the Equipment Set-Up procedure of the Installation Instructions.

Add a disinfectant to the water on a regular basis to help control the amount of bacteria, algae and organic materials. Such bacterial contaminants, if not controlled, could cause skin rashes or other physical problems. To disinfect the spa for normal use, first establish the amount of chlorine or bromine to add and determine how often you need to add it.

We recommend that you maintain a free chlorine level of 2.0 - 5.0 ppm at all times except when you must exceed that during the initial purge/sanitizing procedure or during superchlorination (see "Water Quality Definitions" below). Superchlorinate your spa every two weeks with heavy use. If using sodium dichlor, add one heaping tablespoon for each 150 gallons of spa water. Scrub the spa surfaces with this solution to remove any oily deposits. This will ensure that any bacteria or algae which are resistant to the normal disinfectant level are killed. After adding the disinfectant, run the filter system and allow the free chlorine level to return to the 2.0 to 5.0 ppm range before using the spa again. **Do not install a rigid cover during this procedure until the disinfectant level is back to normal. High concentrations of chlorine or bromine will damage spa fitting finishes if the cover is in place.**

Balancing pH:

For good hygiene and equipment longevity, maintain the pH of your spa water according to the instructions

provided. pH is the measure to determine if the spa water is too acid (low pH) or too alkaline or basic (high pH). The ideal range for spa water is 7.2 to 7.6 pH. For excessive acidity (below 7.2 pH) add soda ash or sodium bicarbonate to the spa water. For excessive alkalinity (above 7.6 pH) add dry acid to the spa water. Caution: Refer to the spa chemical manufacturer's instructions for the initial amount of chemicals to add for the gallonage of your spa. Low pH can cause equipment damage, as acid water will dissolve metals, while high pH can cause scale or calcium deposits to build up in the system or on the shell. After adding chemicals, run the filter system for at least 30 minutes before testing water quality again for accurate readings.

Balancing Total Alkalinity:

Total alkalinity is the measure of base materials in the water. The recommended range for total alkalinity is between 80 ppm and 150 ppm. If the chemistry of the water is not within this range, you will have difficulty adjusting your pH level, which will affect your adjustments for the proper amount of free available chlorine. If the alkalinity of your spa water is high, it is advisable to drain the water from the spa and begin the balancing process over again. Purge and sanitize your spa (according to instructions in Equipment Set-Up section of the Installation Instructions) and clean the spa surfaces thoroughly before refilling with fresh water. Then re-establish water chemistry. If the spa is used heavily, change the water at least every month.

WATER QUALITY DEFINITIONS

pH: A chemical term used in expressing relative acidity or alkalinity in numeric values with 7.0 usually regarded as neutral, and for purposes of this manual, indicating pure water. From 7 to 0 indicates increasing acidity, and 7 to 14 indicates alkalinity.

PPM: Parts per million.

Free Chlorine: Chlorine that has not combined with other chemicals and that is available to destroy bacteria in the spa water.

TriChlor: A form of chlorine used in pool or spa water treatment; usually supplied in tablet form. Not recommended because of its higher acidic nature and slow dissolving action. Prolonged contact with the spa shell may bleach or permanently mark the shell.

Sodium DiChlor: The type of chlorine that is recommended for spa use, as it is available in fast dissolving granular form. It is neither excessively acid nor alkaline in character and does not readily dissipate in higher water temperatures.

Calcium Hypochlorite: A granular chlorine product that is

inexpensive and effective but not recommended because it often tends to form calcium deposits on heater parts and plumbing fittings and leaves an unattractive film on the spa at the water line.

Sodium Hypochlorite: A liquid chlorine product that is inexpensive and effective but not recommended because the liquid is readily spilled onto the spa or a surrounding area, causing permanent damage.

Total Alkalinity: The measure of amount of alkaline materials (such as carbonates, bicarbonates and hydroxides) in the water. High alkalinity inhibits the effectiveness of chemicals to change the pH. If the alkalinity of your spa water is high (above 150 ppm), it is advisable to drain the water from the spa and begin the balancing process over again. Low total alkalinity (below 60 ppm) could be corrosive and damage your spa system.

Superchlorination: (also referred to as "shock treatment") The addition of an above-normal level of disinfectant to kill any bacteria or algae that might have become resistant to normal levels of disinfectant.

MAINTENANCE

Water Level/Drain

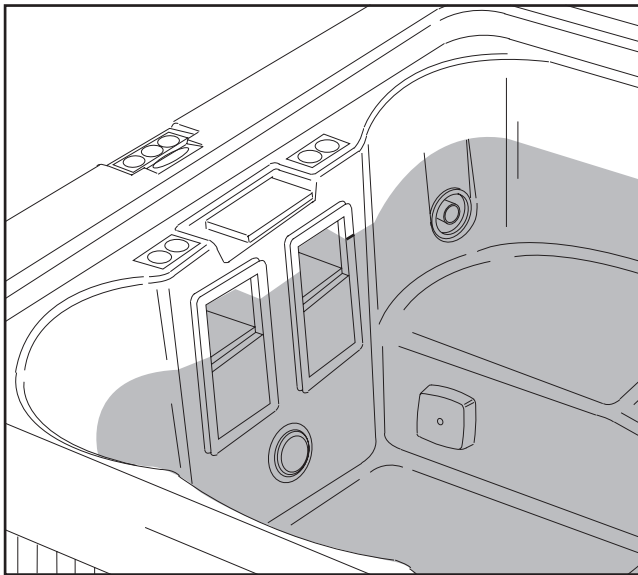
The water level in the spa must be maintained at its normal level. Evaporation and splashing will cause the water level to drop.

When concentrations of impurities from evaporation, water quality chemicals, body oils, perfumes, dirty feet, and winds, etc., accumulate in the spa and cannot be filtered out, it is necessary to drain your spa and refill it with fresh water. This should be done every 2 months or more often, depending on the amount of use.

To drain the spa, first turn all controls to OFF. Then turn off circuit breakers at the main electrical panel. Connect a garden hose to the hose bibb in the suction plumbing. Turn the handle and drain the spa.

After draining the spa, clean the spa shell, suction strainers, skimmers, and filters; then close the hose bibb and refill the spa with fresh water. Check the pH level and maintain water quality.

NORMAL WATER LEVEL



The suction strainers located in the foot well area should be checked at least once a week for collected debris, such as leaves, hair, etc., and cleaned as necessary. It may not be necessary to remove the strainer to clean it, but should you need to, remove the center screw with a Phillips type screwdriver and clean the strainer by flushing with water from a hose.

CAUTION: Be sure to replace the suction strainer immediately after cleaning. It is a safety device and must be in place over the suction fitting to minimize potential hazard of hair and body entrapment.

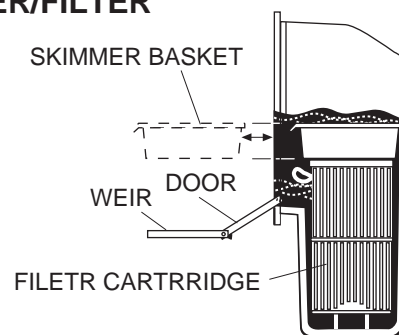
If heavy rains raise the spa water level, drain the spa to its normal level.

An optional rigid spa cover, when in place over the spa, will help reduce evaporation and control the amount of debris entering the spa when the spa is not occupied. In addition, its use will reduce energy consumption.

Skimmer Basket Maintenance

The basket located in each skimmer of the spa should be checked at least once a week for collection of debris, such as leaves, hair, etc., and cleaned as necessary. To clean the basket, remove it from the skimmer by pulling it out; then backflush it with a garden hose and re-install.

FRONT ACCESS SKIMMER/FILTER



Filter Maintenance

The filters should be checked periodically. In normal use, check the filters at least once a month. Keep the filters clean; obstructed filters reduce water quality and inhibit proper system performance.

A removable filter cartridge is located inside each skimmer. To remove it, pull open the skimmer door by the handle located in the middle of the door. Slide the basket out; then pull the filter cartridge upward and out of the housing by the loop at the top of the filter. Clean the filter by separating the folds of the filter and spraying with fresh water from a garden hose; then re-install the cartridge in the housing and replace the basket, reversing the above procedure.

Oils will coat the filters, resulting in a reduced flow. To remove such materials, soak the cartridges in a plastic pail containing a commercial filter cleaning solution (available from your Jacuzzi Whirlpool Bath dealer or most spa supply stores). Follow the manufacturer's instructions for use. Another method is to soak the filter cartridges in a plastic pail containing a mild solution of tri-sodium phosphate (TSP) and water. An hour of soaking time is usually required to break down oil coatings from the cartridge. Use a stronger solution of TSP and water to remove algae. Most hardware or paint stores stock TSP. Use the same method of cleaning when cartridges become plugged with clay or vegetation.

Replacement cartridges are available through your Jacuzzi Whirlpool Bath dealer.

MAINTENANCE

Automatic Filtration/Maintenance

If you plan to be away, you should maintain minimum water quality by running the filter system. To do this, set the timer to turn the system on for at least two hours each day. This will cause the filter system to turn on at a desired time. Set the timer according to instructions on page 8 with the SYSTEM switch OFF. If you do not want the water to be heated, turn the Temp. Control knob to its minimum setting.

If you will be away for an extended period, however, we recommend that you drain the spa (following the procedure described under Winterizing on this page), as long periods without maintenance of water quality could be detrimental to the spa.

Another means of maintaining minimum water quality while away for less than two weeks is to follow the procedure outlined for winterizing your spa in a warm climate. See Winterizing. Note: We do not recommend using this procedure if you are absent during the summer, when algae build-up is most likely.)

Always keep your spa covered when not in use to reduce heat loss and evaporation and to prevent debris from falling in.

Winterizing

In a climate where winter temperatures are below freezing, follow this procedure when the spa will NOT be used:

1. Select the OFF mode.
2. Unplug the unit. Turn off the house circuit breaker. (If converted to 230 V, turn off the power at the circuit breaker.)
3. Drain the spa completely by attaching a garden hose to the drain valve on the suction plumbing. Then remove the hose and leave the drain valve in the open position.
4. Remove the filter cartridges, clean them, and store them dry.
5. Keep water and debris out by covering with a rigid spa cover.
6. Before using the spa again, review the Operating Instructions.

Factory Installed Redwood Skirt

Your AeroPlus spa is supplied with a factory-installed redwood skirt which completely surrounds the spa. The equipment access door can be opened for maintenance, setting the timer.

The skirt is made of kiln-dried redwood and can be left natural to weather to its normal light gray color (after about three months), or you may choose to apply a stain or clear finish. Consult your local paint dealer for the appropriate product.

If it becomes necessary to remove any of the skirt sections, simply remove the screws with which the section is secured.

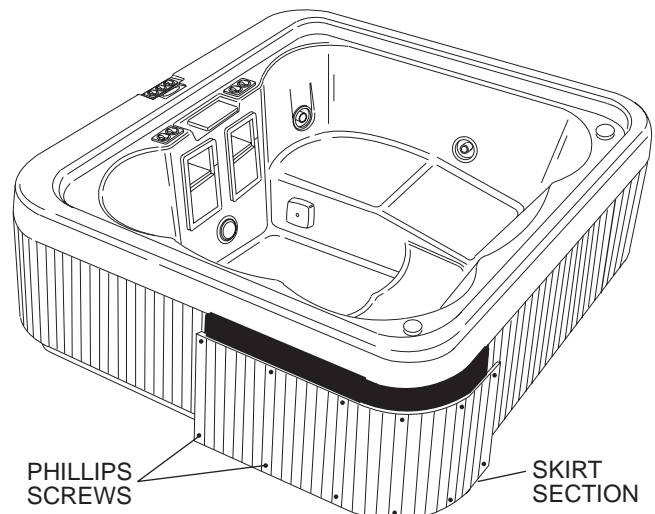
Note: When you remove the skirts, you will notice the plastic covered, foam insulation blocks. These blocks are designed to be removed when service is required and reinstalled when service has been completed.

CAUTION: Not winterizing will cause irreversible damage (at freezing temperatures) to the pump and/or plumbing lines.

Note: If the spa is to be used during winter in a cold climate, see warm climate instructions below.

In a warm climate where there are occasional freezing temperatures, follow this procedure:

1. Select the HTR/FILTER mode.
2. Set the thermostat to its minimum temperature (45°-50° F.) by turning the dial all the way counter clockwise.
3. Maintain a chemical balance. (See Water Quality section.)
4. Keep the spa covered using the spa cover provided.

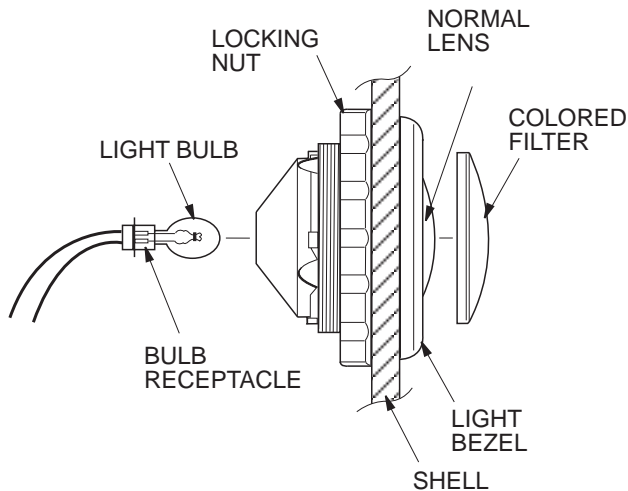


MAINTENANCE

Spa Light

Two colored lenses are provided with your spa. To change the lens, simply pull the lens out of the fitting and replace it with the desired colored lens. Two replacement bulbs (#912) are also included. Put them in a safe place for future use. When a bulb burns out, replace it from the **back** of the light fitting, pulling out the bulb receptacle.

SPA LIGHT BULB REPLACEMENT



Cleaning Your Spa

Your Aero Plus spa shell consists of two layers of plastic materials. Its smooth top surface of acrylic is tough and durable and contains concentrated color. This is supported by a substantial thickness of fiberglass-reinforced polyester resin. A catalyst causes a chemical reaction during manufacture that bonds these layers permanently into a hard, strong material. With a minimum amount of care and cleaning, your whirlpool spa will look new for years.

To clean your spa, simply use a mild, non-abrasive liquid detergent, isopropyl alcohol, or commercially prepared spa cleaner. **Do not use abrasive cleaners.** You can protect and restore the gloss to a dulled surface by applying Meguiar's #10 Mirror Glaze, which is a product specifically designed for use on acrylic finishes. If Meguiar's is not available, an acrylic polish of equal quality or automotive paste wax will do.

Use a spa cleaner for residue buildup at the water level of the spa surface. This may be applied to the acrylic surface with a soft cloth and wiped clean. Use sparingly in small amounts to avoid contaminating the spa water. If heavily soiled, it may be advisable to lower the water level 2-3 inches before cleaning; then refill to normal level.

Covering Your Spa

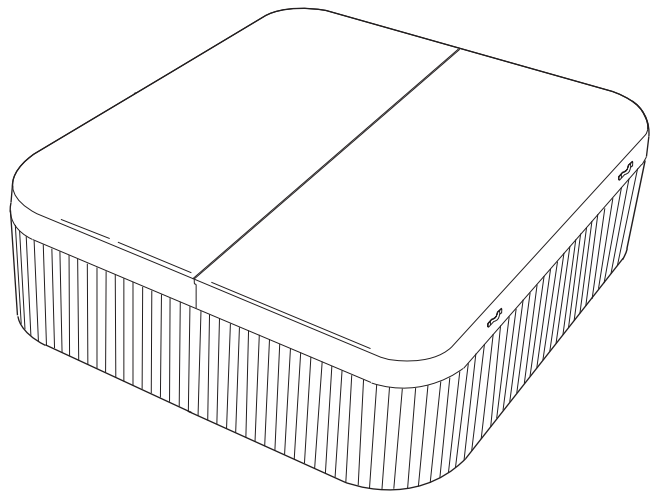
An optional rigid spa cover is available to place on top of the spa. Use of this cover will help to minimize heat loss and evaporation, and thus reduce energy costs. The cover is also an attractive and efficient means of preventing debris such as leaves and dirt from entering your spa when not in use. Follow the instructions for use and care provided with the spa cover.

CAUTION

While the spa cover is rigid, it is not designed to support any weight. Therefore, as a safety precaution and to preserve the life of your cover, you must not sit, stand, or lie on it; nor should you place objects of any kind on top of it.

Jacuzzi Whirlpool Bath does not guarantee or warrant this cover.

AERO SPA WITH RIGID INSULATING COVER



Repairs to the Acrylic

Minor scratches which do not penetrate the color finish (acrylic) can be removed with 600-grit wet/dry sandpaper. Restore the glossy finish with Meguiar's #10 Mirror Glaze or comparable automotive paste wax.

Major scratches or gouges which penetrate the acrylic surface will require refinishing. Ask your Jacuzzi Whirlpool Bath dealer for special instructions.

TROUBLESHOOTING GUIDE

PROBLEM	PROBABLE CAUSE	REMEDY
	A. Actuated too rapidly	A. Wait 60 seconds; system will be restored automatically.
2. Heater not functioning.	A. Heater mode not selected. B. No power to heater. C. Thermostat set lower than water temperature. D. High temperature safety switches tripped. E. Abnormally low water flow. F. Heater relay not operating. G. Heater element failure. H. Improper 230 VAC Conversion	A. Select Heater/Filter mode. B. Check house circuit breaker and GFCI. C. Turn to desired temperature. D. Reset buttons on heater after water has cooled; see *Note if switches continue to trip. E. See Remedy 6 below. F. * G. * H. Contact electrician.
3. Heater not functioning but heater light on.	A. Relay malfunction. B. Element malfunction.	A. * B. *
4. Water not clean.	A. Clogged or blocked suction strainer or skimmer basket. B. Filter clogged (dirty). C. Poor water chemistry. D. Insufficient filtering time. E. mproper maintenance. F. High content of solids in water.	A. Clean strainer/skimmer basket. B. Clean or replace. C. See "Chemistry" section. D. Run filter. E. See Maintenance section. F. Use clarifier or drain and refill spa.
5. Abnormal water usage.	A. Leak in suction line, discharge line, or connections. B. Excessive evaporation and/or splashing.	A. Repair leak. B. Use rigid spa cover; lower thermostat setting.
6. Low water flow from jets.	A. Normal operation in FILTER or HTR/FILTER mode. B. Low water level. C. Low Water Level D. Clogged or blocked suction strainer or skimmer basket. E. Dirty filter. F. Suction or discharge line partially plugged. G. Pump running at subnormal speed. H. Worn or damaged pump seal.	A. Select JETS mode for maximum flow. B. Fill to water level indicator mark on skimmer/filter frame. C. Fill to middle of skimmer. D. Clean strainers or skimmer baskets E. Clean or replace. F. * G. * H. *

***Note:** The skills and tools necessary for the safe repair of this spa require the services of qualified service personnel. Contact your dealer.

TROUBLESHOOTING GUIDE

PROBLEM	PROBABLE CAUSE	REMEDY
7. No water flow from jets.	<ul style="list-style-type: none"> A. Unit not plugged in. B. Selector switch in OFF. C. House circuit breaker tripped; no power to system. D. Spa circuit breaker tripped. E. High temperature safety switch tripped. F. GFCI tripped. G. Faulty pump or motor. 	<ul style="list-style-type: none"> A. Plug unit in. B. Select other function. C. Reset circuit breaker. D. Reset circuit breaker E. Reset button on heater after water has cooled; *Note if switch continues to trip. F. Reset GFCI G. *
8. Noisy pump and motor.	<ul style="list-style-type: none"> A. Clogged strainer(s). B. Leakage of air into suction line. C. Vibrating parts attached to motor or support brackets D. Low water level. E. Damaged or worn motor bearings. F. Impeller rubbing inside case. G. Debris inside pump. 	<ul style="list-style-type: none"> A. Clean strainer(s). B. Locate and repair leaks. C. Tighten fasteners. D. Add water to normal water level. E. * F. * G. *
9. Water leakage at pump shaft (rotating connection between pump and motor).	<ul style="list-style-type: none"> A. Worn or damaged pump seal. 	<ul style="list-style-type: none"> A. *
10. Motor will not start.	<ul style="list-style-type: none"> A. Unit not plugged in. B. OFF mode selected. C. Blower selected (115 VAC). D. House circuit breaker tripped or in OFF position. E. Spa circuit breakers tripped. F. GFCI tripped. G. Improper or defective wiring. H. High temperature safety switches tripped. I. Inadequate electrical supply J. Locked shaft or impeller. K. Motor windings burned out. L. Defective starting switch inside motor. 	<ul style="list-style-type: none"> A. Plug in unit B. Select FILTER, HTR/FILTER, or JETS mode. C. Select OFF, ACC mode. D. Reset circuit breakers. E. Reset GFCI. G. * H. Reset buttons on heater after water has cooled; see *Note I. * J. * K. * L. *

if switch continues to trip.

***Note:** The skills and tools necessary for the safe repair of this spa require the services of qualified service personnel. Contact your dealer.

TROUBLESHOOTING GUIDE

PROBLEM	PROBABLE CAUSE	REMEDY
10. Motor will not start. (Continued)	I. Subnormal voltage.	I. Call an electrician or your power company.
	J. Locked shaft or impeller.	J. *
	K. Motor windings burned out.	K. *
	L. Defective starting switch inside motor.	L. *
11. Motor stops.	A. Motor overload condition.	A. Let cool for one hour. Motor overload will reset; if problem persists, see *Note .
	B. Selector switch failure.	B. *
	C. Relay failure.	C. *
	D. Inadequate supply wiring.	D. Consult electrician to correct wiring to unit.
	E. High temperature safety switch tripped.	E. Reset button on heater after water has cooled; see *Note if switch continues to trip.
12. Air Blower does not operate.	A. Power off.	A. Turn on power at service panel.
	B. ACC switch in OFF.	B. Select other function.
	C. House circuit breaker tripped, no power to system.	C. Reset circuit breaker.
	D. Redwood skirt door open or not in place.	D. Close redwood skirt door.
	E. GFCI tripped.	E. Reset GFCI.
	F. Faulty motor.	F. *

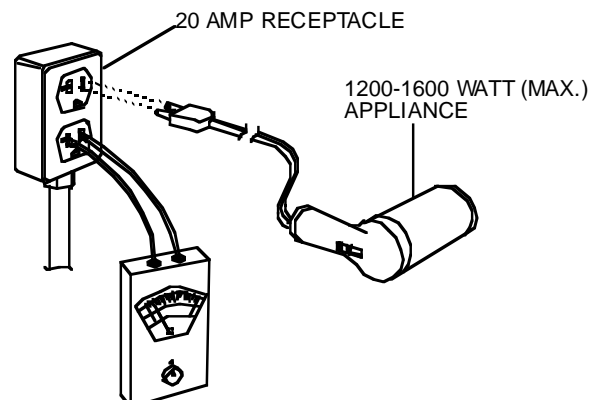
***Note:** The skills and tools necessary for the safe repair of this spa require the services of qualified service personnel. Contact your Jacuzzi Whirlpool Bath dealer.

IMPORTANT

The Palio II™ Portable Whirlpool Spa requires a 115 VAC 20 AMP capacity electrical supply. If the wiring of the circuit in which your spa is connected is not sized properly for 20 AMPs, or if the outlet used is too distant from the main service panel, there may be a considerable voltage drop. Such a voltage drop would not only cause the unit to malfunction, but it may also cause permanent damage to the spa's electrical system.

Before operating your spa, therefore, we recommend that you test the spa's intended electrical supply circuit for sufficient voltage. To do this, you will need an AC voltage meter and a small electrical appliance rated at 1200 (min.) - 1600 (max.) watts, such as a toaster or small heater. With the appliance turned off, plug it into the receptacle and take a voltage meter reading from the adjacent receptacle. Next turn on the appliance to its maximum setting and again measure the voltage as before. The difference between the two voltage readings must not be more than 5%. For example, if the "OFF" voltage is 115, the "ON" voltage must not be below 109. If there is a voltage drop of more than 5% or if there is less than the 105 V minimum operating voltage at the receptacle, the electrical supply is insufficient. The minimum voltage must be maintained during spa operation.

If your test reveals insufficient electrical supply, several solutions are possible; First, you could have your electrical supply upgraded and provide a dedicated, properly wired circuit with 20 AMP capability to be used for the spa only. Second, you can install a transformer which would boost your existing power supply. We recommend that you seek the advice and services of a qualified electrician who can determine your particular electrical needs for installation of your spa.

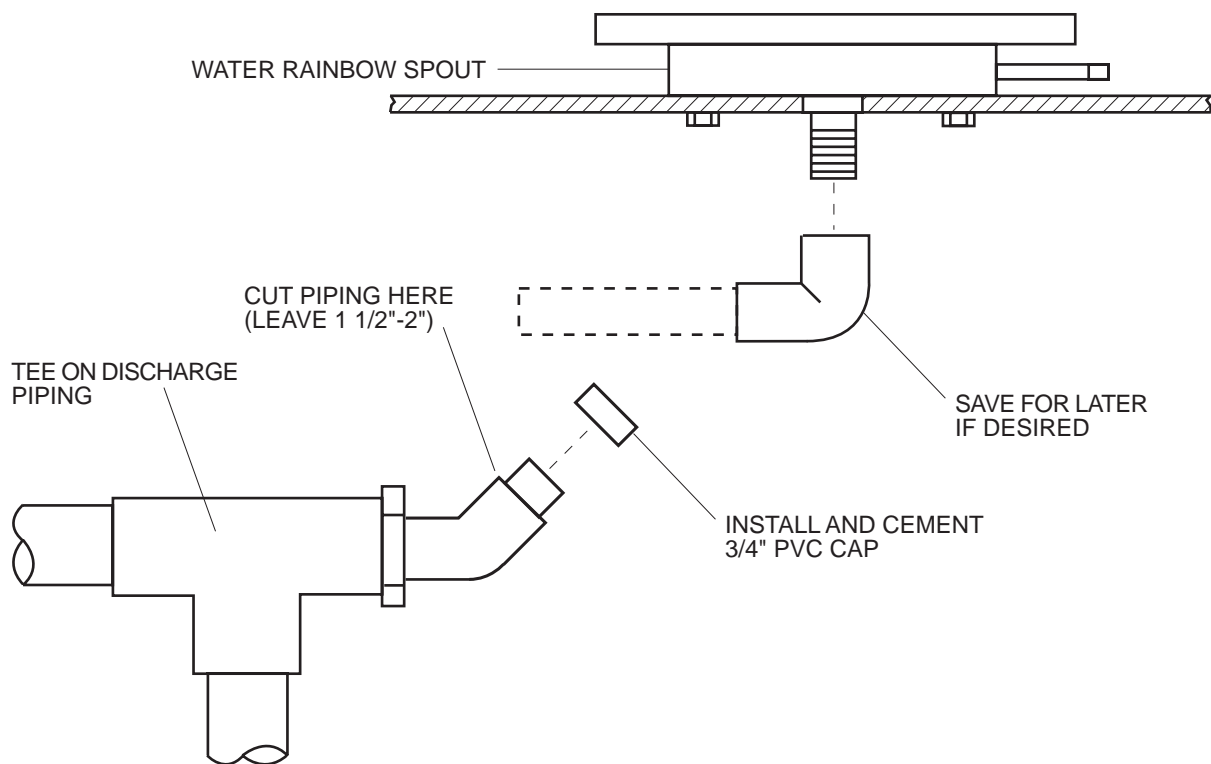


Alternate Use of Water Rainbow Spout as Fill Spout

You can use your Water Rainbow spout as a fill spout by permanently plumbing it to a fresh water supply if local codes permit. Local plumbing codes may require the use of an anti-siphon valve for such a connection. **Do not interconnect water supply with recirculating system of the spa.**

To make the connections necessary to use the Water Rainbow as a fill spout, follow this procedure:

- Make sure spa is unplugged and completely drained.
- Unscrew the spout from the 3/4" pipe.
- Cut 3/4" piping as shown in illustration below.
- Cap off the piping by cementing a 3/4" PVC cap where cut has been made.
- Connect permanent plumbing line to the spout.



**PRODUCT SPECIFICATIONS ARE SUBJECT TO CHANGE WITHOUT NOTICE.
USE INSTALLATION INSTRUCTIONS SUPPLIED WITH PRODUCT.**

Jacuzzi Whirlpool Bath has obtained applicable code (standards) listings generally available on a national basis for products of this type. It is the responsibility of the installer/owner to determine specific local code compliance prior to installation of the product. Jacuzzi Whirlpool Bath makes no representation or warranty regarding, and will not be responsible for any code compliance.

JACUZZI WHIRLPOOL BATH

Jacuzzi Whirlpool Bath National Headquarters
P.O. Drawer J, Walnut Creek, CA 94596 (510) 938-7070
Customer Service: Call (800) 288-400

